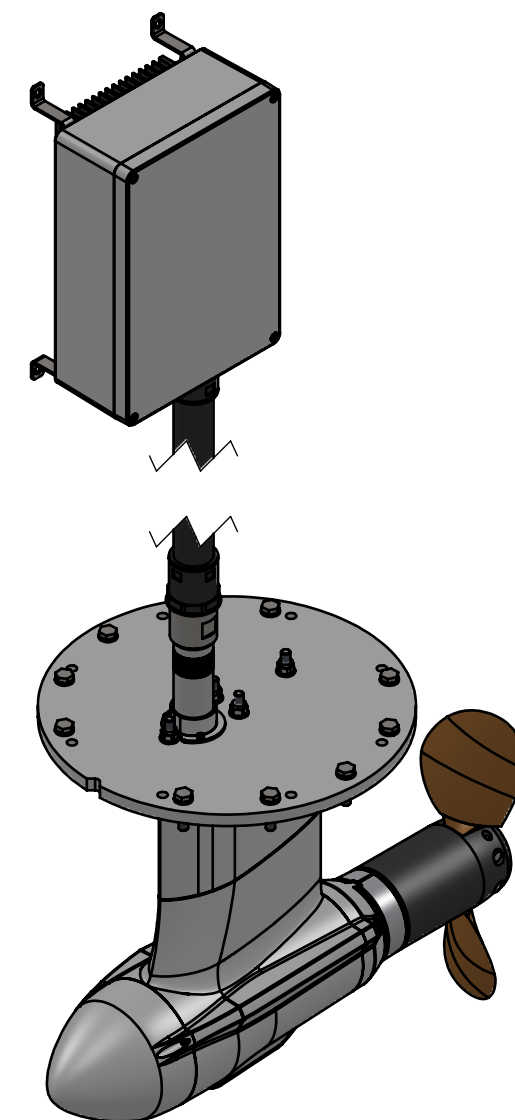
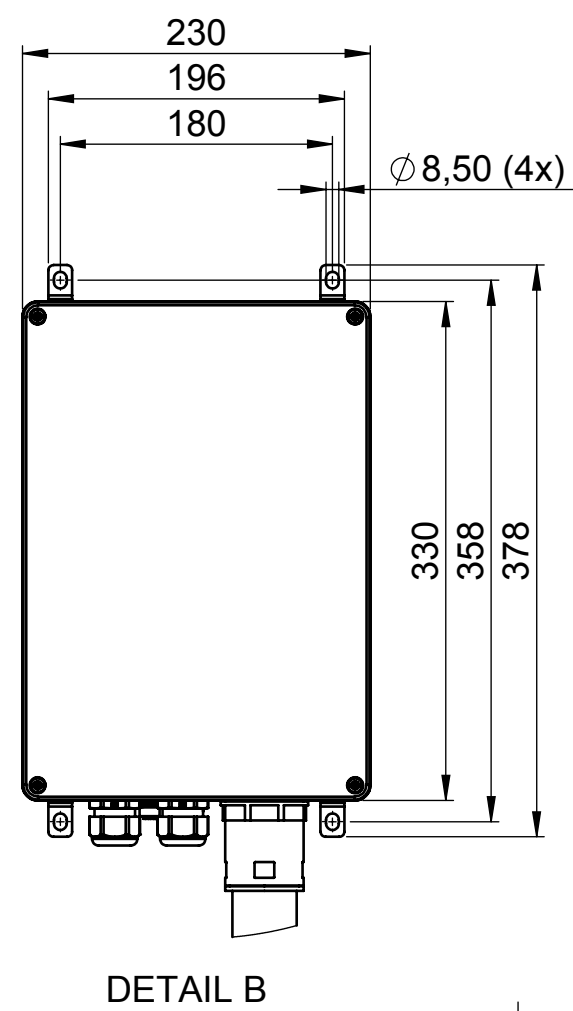
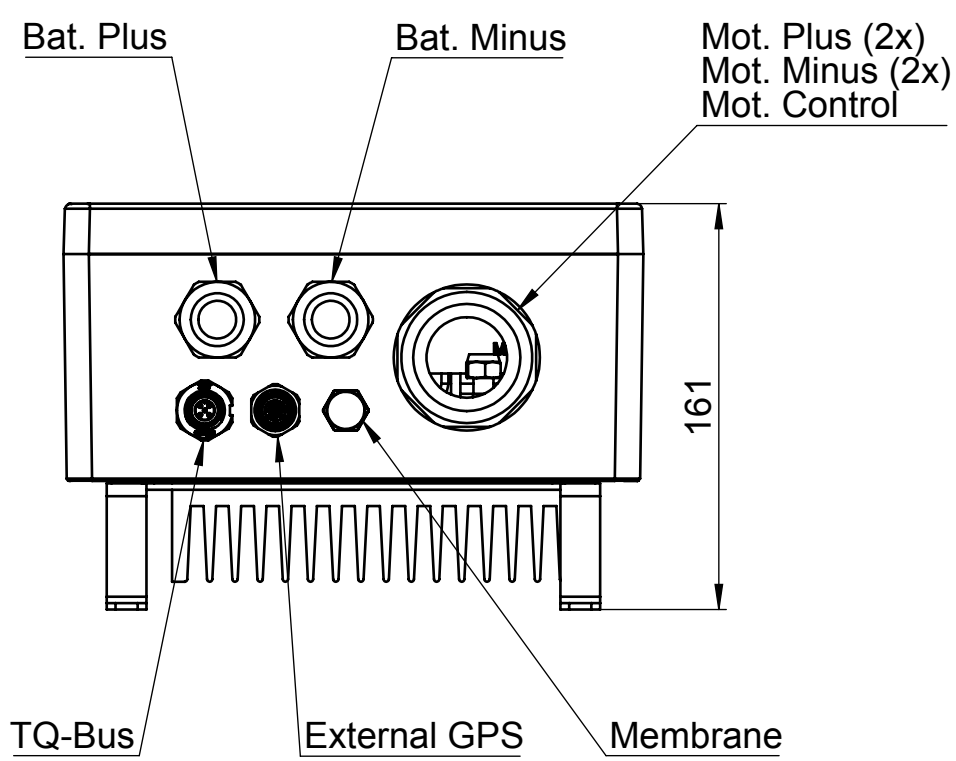
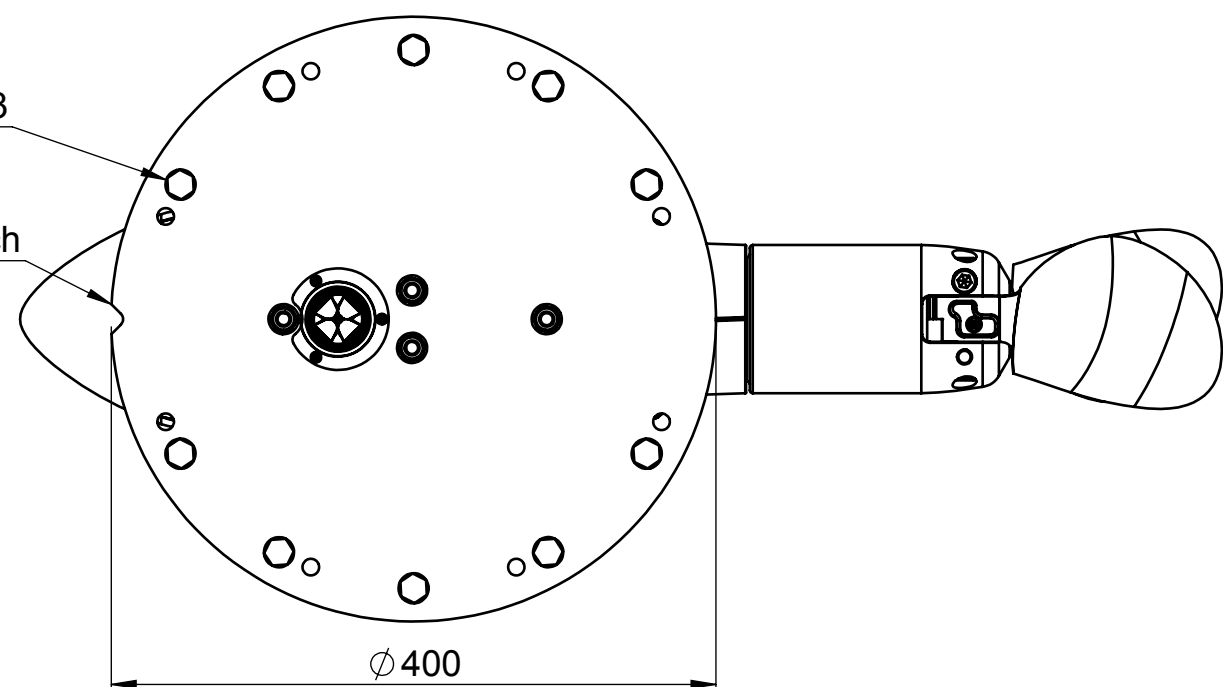


Bohrbild siehe Blatt 3
 Hole patern on page 3

Fahrtrichtungs-Nut
 direction of travel notch



Cruise 10.0 FP
SD-Mount
 (with folding propeller)