

Travel

- + Lightest outboards in their power class, from 15.5 to 17.3 kg complete
- + Highest overall efficiency
- + Quietest electric outboard
- + Most dynamic motor response
- + Onboard computer with GPS, remaining range, charge status and additional functions
- + Easy handling, fast battery swaps, simple to transport

Tenders / Dinghies / Daysailers
 Travel 603 up to 1 tonne
 Travel 1103 C up to 1.5 tonnes



The freedom to Travel – powerfully, efficiently and quietly

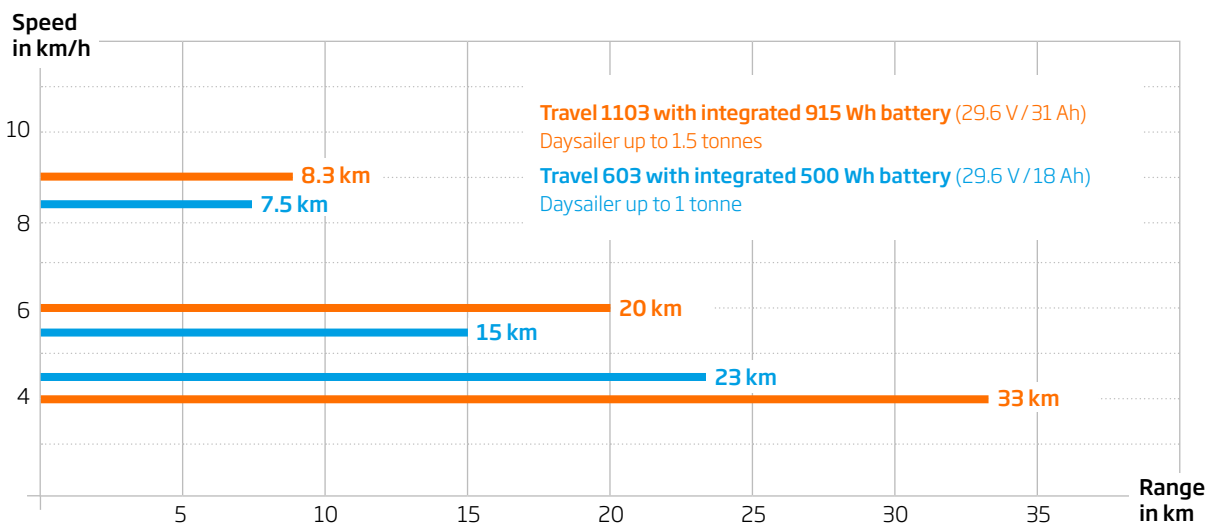
Travel motors have been delighting boaters with their outstanding efficiency, useful technology and easy-to-use design for more than 15 years. The Travel 1103 and Travel 603 motors are the lightest, quietest outboards in their respective power classes and come with a high-performance lithium-ion battery and a built-in onboard computer with GPS, remaining range and charge status. Travel motors boast a durable direct-drive motor, industrially engineered to provide superior efficiency and the most dynamic motor response. The Travel 1103 comes with a high-capacity 915 Wh battery but is still easy to handle at just 17.3 kg complete. Racing yachts and other weight-sensitive applications may prefer the Travel 603 at just 15.5 kg, complete. Its 500 Wh, 4.2 kg battery even floats!

New for 2021

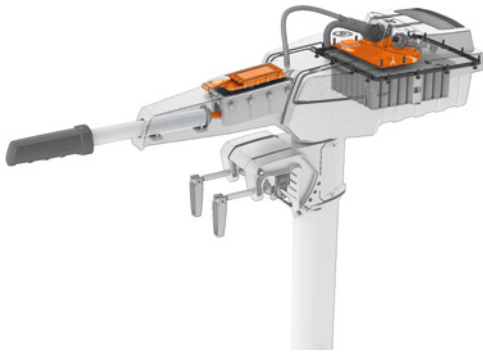


Travel 603

Travel 1103 C



High performance, speed and range
 Dependent on factors such as type of boat, load, propeller and ambient conditions. Figures for speed and range are indicative only and are not a guarantee of performance.



i What's inside your battery

Battery cell type might be the most important factor when selecting an electric outboard. Travel batteries use high-quality, individually welded, cylindrical steel safety cells equipped with multiple safety mechanisms made by the world's most reputable manufacturers. The battery is further protected with a built-in battery management system with redundant hardware backups for every safety-relevant function. Other cell types, such as inexpensive pouch cells, are susceptible to damage from heat, vibration and the repeated shocks common on boats. Consumer-grade pouch cells also offer less effective protection against short-circuiting and have a shorter overall service life.

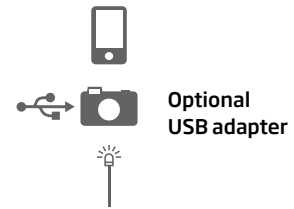
Travel in Style

Like all products from Torqeedo, Travel motors are offered with a full suite of high-tech accessories. It's easy to add **a spare battery or a remote throttle** for operating the motor from the helm instead of the tiller, or choose the **TorqTrac smartphone app**. With the optional Bluetooth dongle installed, TorqTrac turns your compatible smartphone into a bright, easy-to-read onboard computer with a number of useful motor and battery readouts. The app is available from the App Store (iOS) or Google Play Store (Android).

Technical data

	Travel 603	Travel 1103 C
Input power in W	600	1,100
Propulsive power in W	295	540
Comparable petrol outboard (shaft power)	2 HP	3 HP
Comparable petrol outboard (thrust)	2 HP	4 HP
Maximum overall efficiency in %	49	49
Static thrust in lbs*	44	70
Integrated battery (Li-Ion) in Wh	500, floating	915
Nominal voltage in V	29.6	29.6
Final charging voltage in V	33.6	33.6
Total weight in kg	15.5	17.3 (S) / 17.7 (L)
Motor weight without battery, in kg	11.3	11.3 (S) / 11.7 (L)
Weight of integrated battery, in kg	4.2	6.0
Shaft length in cm	62.5	62.5 (S) / 75 (L)

* To compare Torqeedo static thrust data with conventional trolling motors, add approximately 50% to the Torqeedo static thrust values.



Optional USB adapter



TORQEEEDO

Visit us on www.torqeedo.com

Part no. 8110-00

