

Installation Drawing: I51

Item number: 039-00522, Version 1.0

Power cable connection



This installation drawing is an addition to the original operating instructions.
Read operating instructions before wiring.



NOTE! Select the correct battery type and enter the correct size of the battery bank in the throttle menu! Check the throttle operating manual for further information.

NOTE! When using 3rd party batteries, the state of charge (SOC) value is not as accurate as when using Torqeedo batteries. Plan accordingly in reserve to safely reach your destination.

NOTE! The power cable connection of the 3rd party battery bank requires specialist knowledge and may only be carried out by qualified personnel.
If necessary, have the planning and installation carried out by a specialist.

NOTE! Applicable national requirements (e.g. DIN EN ISO 16315, DIN EN ISO 13297, ABYC E-11) are to be observed.

NOTE! Use the Torqeedo power cable or use an adapter to connect to the busbar.

NOTE! Make sure the power supply requirements are maintained. The specifications of the requirements relate exclusively to the terminal to which the Torqeedo system is connected and not to the battery bank. When using additional energy consumers, the battery bank and its wiring must be adjusted accordingly.

NOTE! When connecting the Torqeedo system to the battery bank, make sure that the motor is connected diagonally to the battery bank. See exemplary illustrations on next page.

NOTE! Note that the lower voltage limit of the technical data specifies the value at which the Torqeedo system switches off. Depending on their properties, 3rd party batteries can switch off earlier or cannot be discharged further than the Torqeedo system allows. Therefore, consider the specifications of your 3rd party batteries when planning the system.

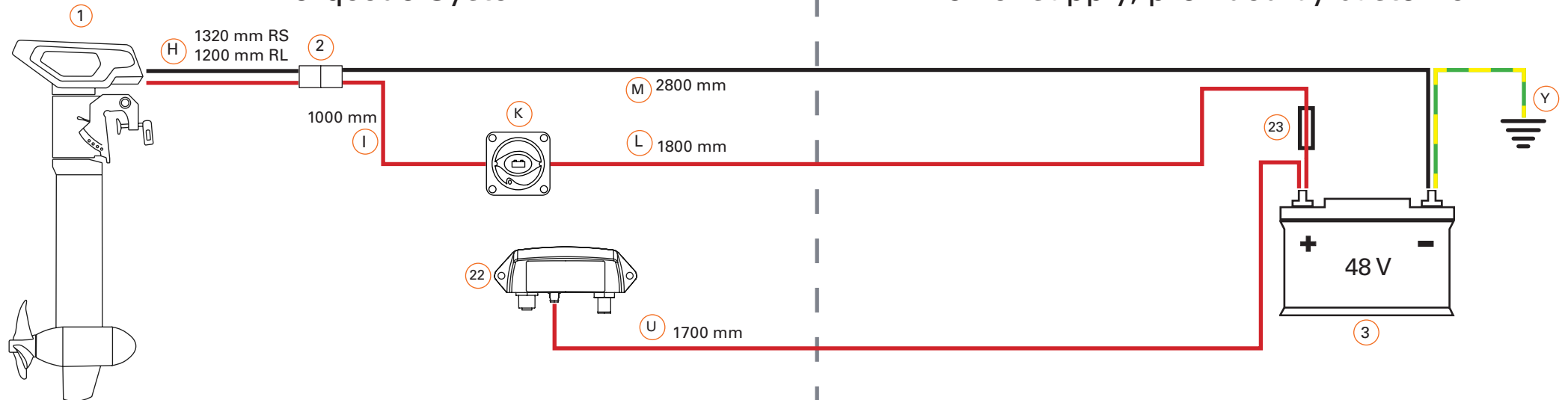
WARNING! Risk of short circuit. The supplied 175 ampere fuse (23) has an interrupting rating of 2000 amperes and is designed for battery banks with a maximum short-circuit current capacity of 2000 amperes. When using battery banks with more than 2000 amperes of short-circuit current, the fuse must be replaced with an appropriate one in terms of interrupting rating.

Operating requirements for the Torqeedo system

Voltage level in volts lead acid (min. V - max. V)	37.2 V - 62.0 V
Voltage level in volts lithium (min. V - max. V)	42.2 V - 62.0 V
Maximum battery current (permanent)	154 A
Maximum battery current (short-term)	160 A
Fuse load current cable	175 A
Fuse interrupting rating	According to battery bank
Cable cross-section for system earthing	Provision and dimensioning by customer

Torqeedo System

Power supply, provided by customer



- Positive power cable
- Negative power cable
- 25 mm² grounding cable

Power cable connection

Installation Drawing: I51

Item number: 039-00522, Version 1.0

Power cable connection



This installation drawing is an addition to the original operating instructions.
Read operating instructions before wiring.



Option with busbars (adapter required, not included)



NOTE! Select the correct battery type and enter the correct size of the battery bank in the throttle menu! Check the throttle operating manual for further information.

NOTE! When using 3rd party batteries, the state of charge (SOC) value is not as accurate as when using Torqeedo batteries. Plan accordingly in reserve to safely reach your destination.

NOTE! The power cable connection of the 3rd party battery bank requires specialist knowledge and may only be carried out by qualified personnel.
If necessary, have the planning and installation carried out by a specialist.

NOTE! Applicable national requirements (e.g. DIN EN ISO 16315, DIN EN ISO 13297, ABYC E-11) are to be observed.

NOTE! Use the Torqeedo power cable or use an adapter to connect to the busbar.

NOTE! Make sure the power supply requirements are maintained. The specifications of the requirements relate exclusively to the terminal to which the Torqeedo system is connected and not to the battery bank. When using additional energy consumers, the battery bank and its wiring must be adjusted accordingly.

NOTE! When connecting the Torqeedo system to the battery bank, make sure that the motor is connected diagonally to the battery bank. See exemplary illustrations on next page.

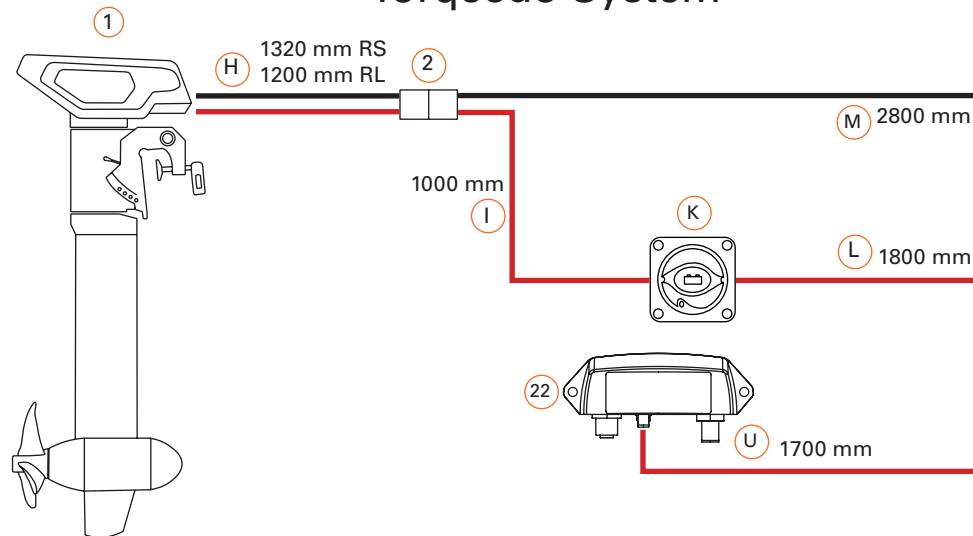
NOTE! Note that the lower voltage limit of the technical data specifies the value at which the Torqeedo system switches off. Depending on their properties, 3rd party batteries can switch off earlier or cannot be discharged further than the Torqeedo system allows. Therefore, consider the specifications of your 3rd party batteries when planning the system.

WARNING! Risk of short circuit. The supplied 175 ampere fuse (23) has an interrupting rating of 2000 amperes and is designed for battery banks with a maximum short-circuit current capacity of 2000 amperes. When using battery banks with more than 2000 amperes of short-circuit current, the fuse must be replaced with an appropriate one in terms of interrupting rating.

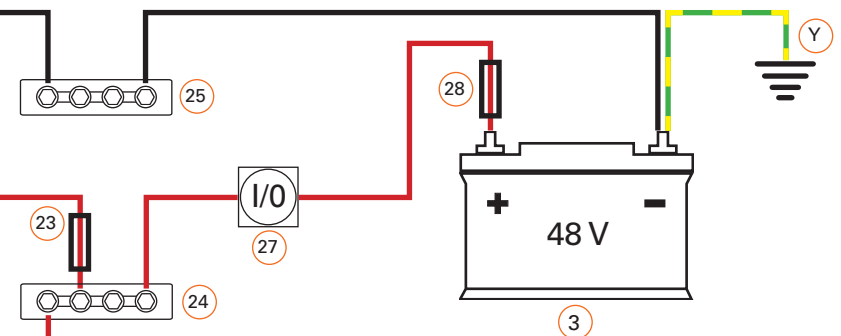
Operating requirements for the Torqeedo system

Voltage level in volts lead acid (min. V - max. V)	37.2 V - 62.0 V
Voltage level in volts lithium (min. V - max. V)	42.2 V - 62.0 V
Maximum battery current (permanent)	154 A
Maximum battery current (short-term)	160 A
Fuse load current cable	175 A
Fuse interrupting rating	According to battery bank
Cable cross-section for system earthing	Provision and dimensioning by customer

Torqeedo System



Power supply, provided by customer



- Positive power cable
- Negative power cable
- — 25 mm² grounding cable

Power cable connection

Installation Drawing: I51

Item number: 039-00522, Version 1.0

Power cable connection



This installation drawing is an addition to the original operating instructions. Read operating instructions before wiring.



Examples for the wiring of a 48V 3rd party battery bank, provided by customer



NOTE! The power cable connection of the 3rd party battery bank requires specialist knowledge and may only be carried out by qualified personnel.

If necessary, have the planning and installation carried out by a specialist.

NOTE! Applicable national requirements (e.g. DIN EN ISO 16315, DIN EN ISO 13297, ABYC E-11) are to be observed.

NOTE! Make sure the power supply requirements are maintained. The specifications of the requirements relate exclusively to the terminal to which the Torqeedo system is connected and not to the battery bank. When using additional energy consumers, the battery bank and its wiring must be adjusted accordingly.

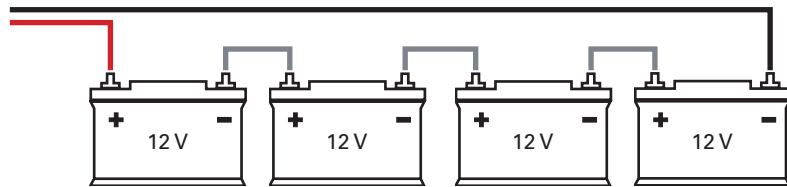
NOTE! Illustrations are exemplary, make sure the 3rd party battery bank is wired correctly and conforms to applicable and local standards (e.g. DIN EN ISO 16315, DIN EN ISO 13297, ABYC E-11).

NOTE! The illustrations only show the wiring examples of the 3rd party battery bank. Fuses, main switches and other components are not included and must be supplied by the customer.

NOTE! Make sure that all power cables from the battery bank to the busbars are of the same length. Also make sure that all cable bridges of the battery bank are of the same length.

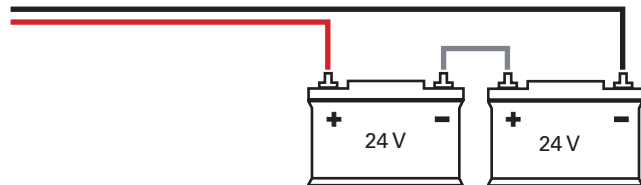
4S = 4x 12V battery connected in series, the voltages of the batteries add up

48V Busbar / Motor



2S = 2x 24V battery connected in series, the voltages of the batteries add up

48V Busbar / Motor

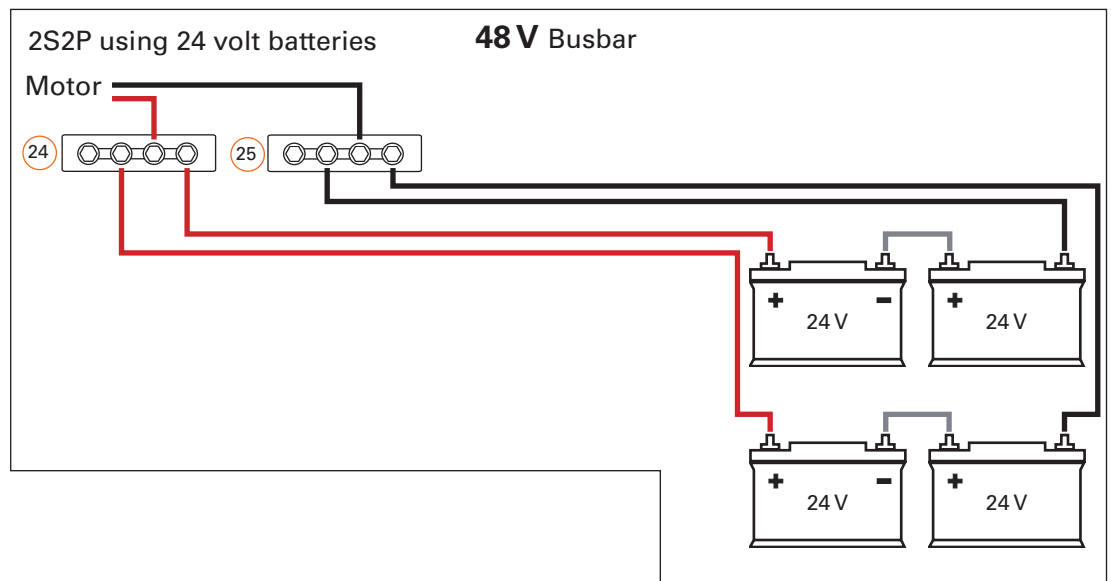
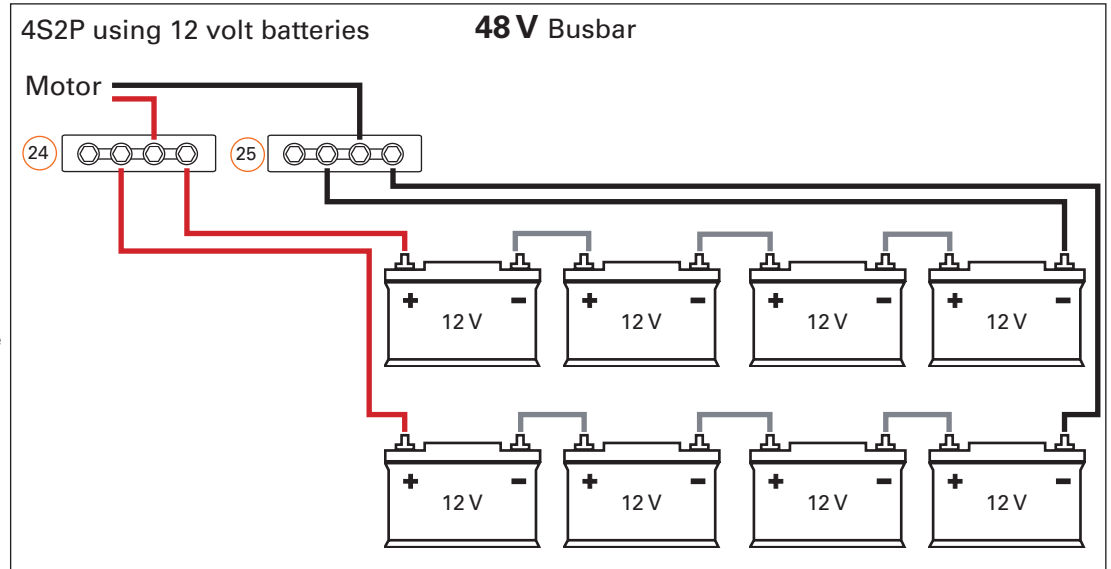


— Positive power cable

— Negative power cable

— Cable bridge

Power cable connection



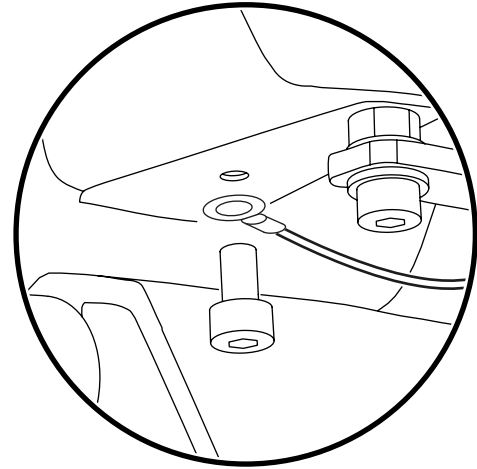
Installation Drawing: I51

Item number: 039-00522, Version 1.0

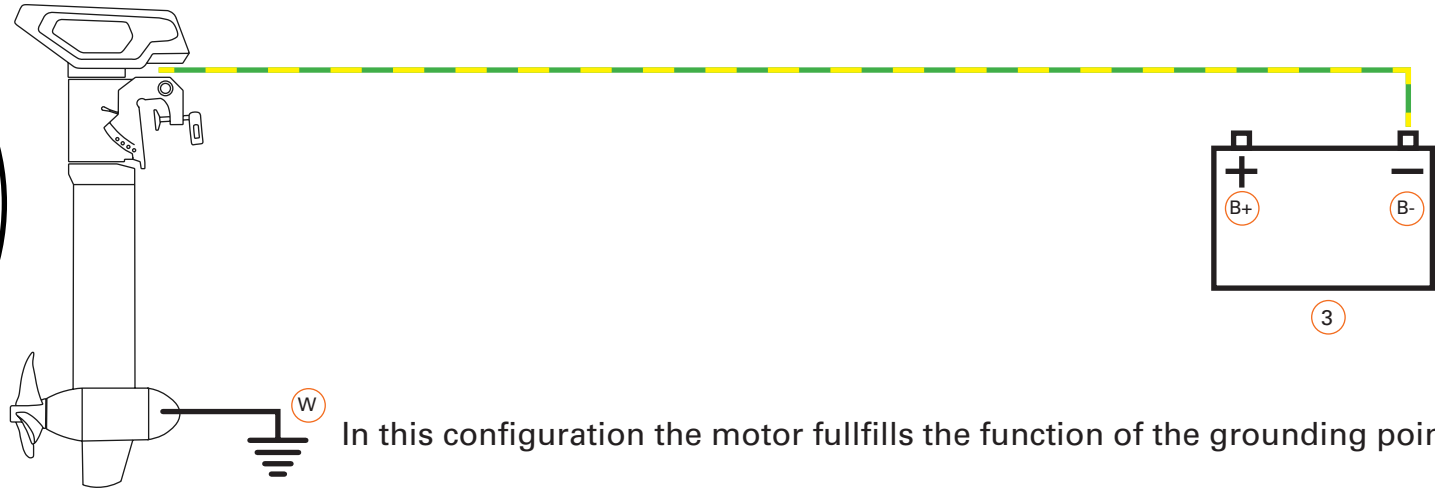
System ground connection



This installation drawing is an addition to the original operating instructions.
Read operating instructions before wiring.



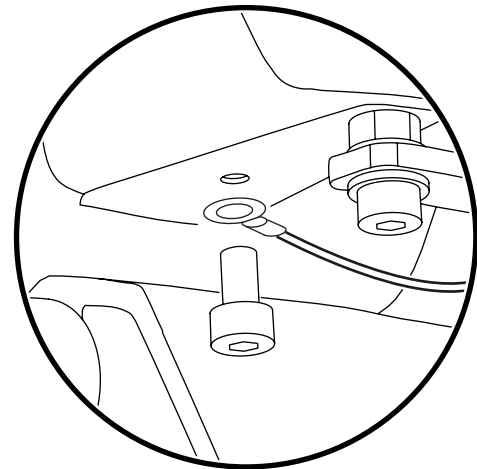
① Use for boats without common point for grounding



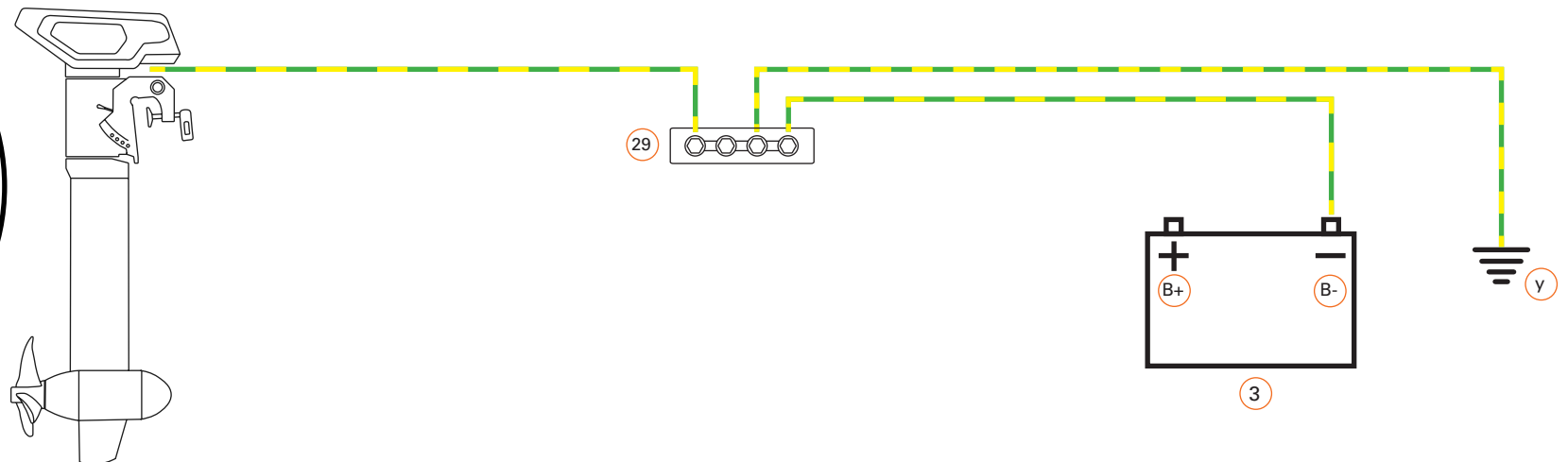
In this configuration the motor fulfills the function of the grounding point

— 25 mm² grounding cable

Use for boats with common point for grounding



① Use for boats with common point for grounding



— 25 mm² grounding cable

System ground connection

Installation Drawing: I51

Item number: 039-00522, Version 1.0

System ground connection



This installation drawing is an addition to the original operating instructions.
Read operating instructions before wiring.

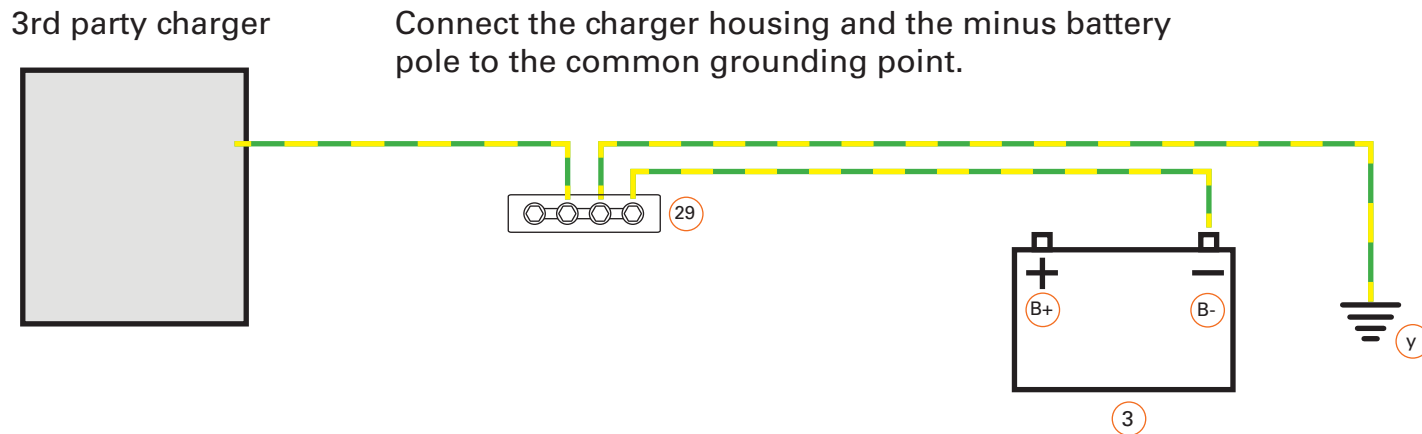


In case using a charger permanently installed in the boat, the charger housing or its AC PE and battery minus pole must be connected to the common grounding point.

The AC connection requires specialist knowledge and may only be carried out by qualified personnel.

If necessary, have the planning and installation carried out by a specialist.

NOTE! To charge the batteries in the boat, a land connection in the boat with galvanic isolator or isolation transformer is required according to applicable national requirements (e.g. DIN EN ISO 16315, DIN EN ISO 13297, ABYC E-11).



 25 mm² grounding cable

System ground connection

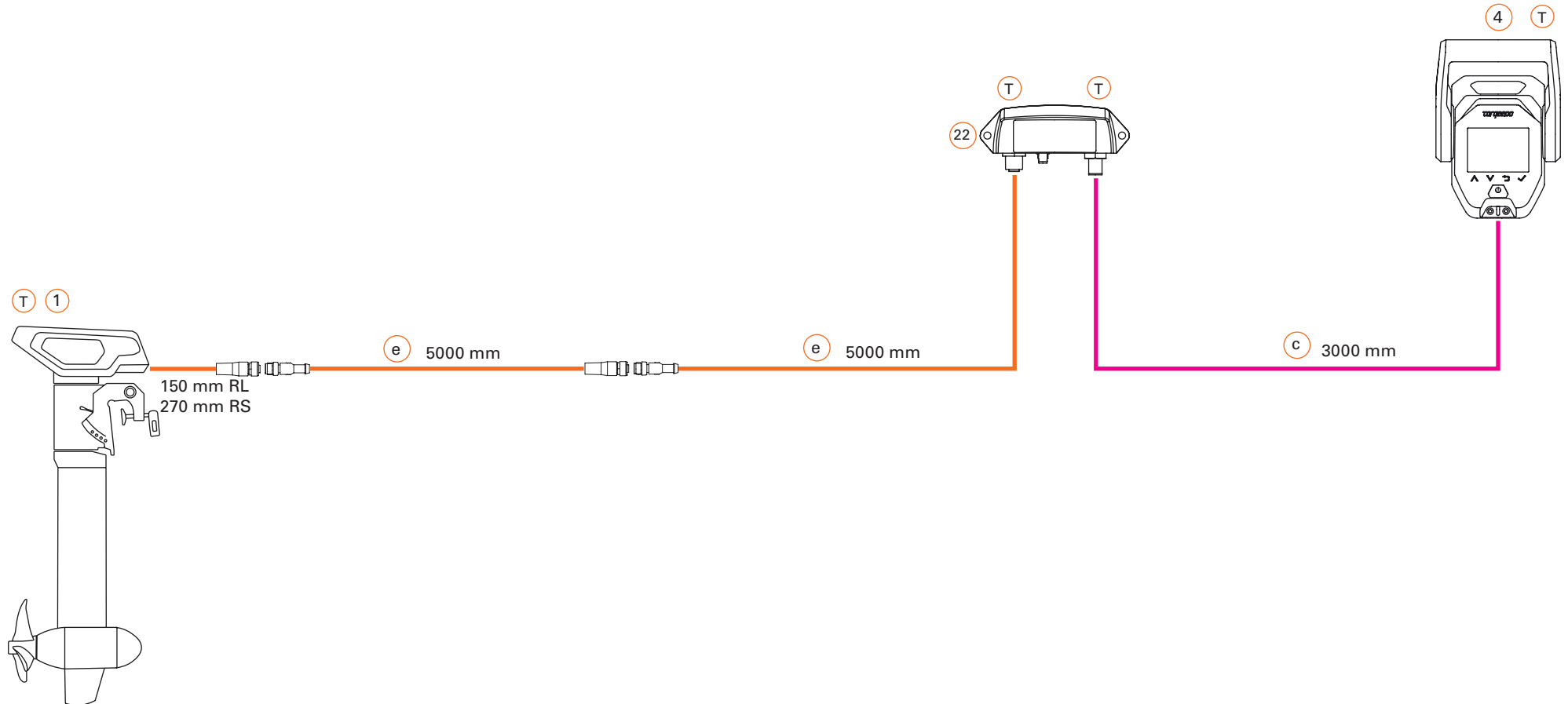
Installation Drawing: I51

Item number: 039-00522, Version 1.0

Data cable connection



This installation drawing is an addition to the original operating instructions.
Read operating instructions before wiring.



8 pin data cable

5 pin data cable

4 pin data cable

Backbone TorqLink, 8 pin data cable

Backbone 5 pin data cable

Ⓣ Bus system termination resistor

Data cable connection

Installation Drawing: I51

Item number: 039-00522, Version 1.0

Bill of material/Legend/Information



This installation drawing is an addition to the original operating instructions.
Read operating instructions before wiring.



Pos.	Item number	Name	Remarks
1	1262-10 1263-10	Cruise 6.0 R	
H, I, K, L, M		Cable set with battery switch	See picture for cable length
2		Power connector	max. 175 A
e		Backbone cable 5-pin	5000 mm
W		Torqueedo system ground	min. 25 mm ² , not included
4	1976-00	TorqLinkThrottle	
c		Backbone TorqLink cable 8-pin	3000 mm
	2217-00	TorqLink gateway set	
22	000-00858	Gateway	
U		Gateway Power cable	1700 mm
f		Adapter T-Cable 5-pin	200 mm; Do not use in this configuration!
e		Backbone cable 5-pin	5000 mm
13	000-00876	TorqLink Terminator	Bus termination resistor
18		On/Off switch with cable	2000 mm; Do not use in this configuration!
Y		System ground	Provision, dimensioning and correct installation by customer
3		Battery bank	48 V; Provided by customer
23		Fuse	Use the delivered by Torqueedo if using the original power cable and Torqueedo Batteries or use an 175 A fuse with appropriate interrupting rating value
24		+ Busbar (positive pole)	M10 connection; Provided by customer
25		- Busbar (negative pole)	M8 connection; Provided by customer
27		Battery bank main switch	Provided by customer

Pos.	Item number	Name	Remarks
28		Battery bank main fuse	Provision, dimensioning and correct installation by customer
29		Common grounding point	Provision, dimensioning and correct installation by customer

Installation Drawing: I51

Item number: 039-00522, Version 1.0

Bill of material/Legend/Information



This installation drawing is an addition to the original operating instructions.

Read operating instructions before wiring.



Connect the cruise motor and terminator to each end of the backbone.

The TorqLink bus system requires a terminator (terminating resistor) at both ends of the backbone in order to function correctly.

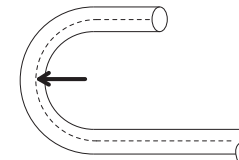
One of the terminators is located in the „Terminator Single“, „Terminator Twin“, „Throttle 1918-00“, „Throttle 1976-00“, the other is built into the cruise motor. Therefore, when installing, make sure that the components „Terminator“ and „Cruise motor“ are each connected to one end of the backbone.

The connection position of the remaining components on the backbone can be freely selected.

Keep the following points in mind when planning:

- An earthing point is required for your Torqueedo system. Take into account the connection and the cables required for this in your planning. The required cable cross-sections can be found in the section Tools, equipment and material.
- First determine and plan the installation positions of all components.
- Measure the required length of the TorqLink backbone.
- Measure the lengths of all required stub lines (cable connection between component and TorqLink backbone).
- When planning, please note that TorqLink drop cables must not be extended. If necessary, plan the TorqLink backbone so that the components can be connected through the TorqLink drop cable without an extension. If necessary, extend the TorqLink backbone to connect a component that is far away; you can find corresponding extensions in our accessories catalogue.
- Cables must be fixed every 400 mm, plan attachment material. In places where fastening is not possible, a scuff guard must be fitted.
- Openly laid cables (e.g. inflatable boat) must be protected with chafing protection, plan sufficient material.
- When planning, please note not to bundle power cables with data or antenna cables (e.g. radios) for other loads.
- Observe the minimum bending radius of the cables when planning.
- If a second earthed onboard power system is available, ensure that both systems use a common earthing point.
- Live parts must be fitted or installed with protection against accidental contact; the necessary installation space must be taken into account during the planning stage.
- Always connect batteries as the last component to the system to avoid short circuits and voltage peaks.
- Do not extend drop cables, extend backbone if necessary.
- Protect plugs and contacts against contamination before installing them.
- Do not pull at the cables.
- Do not twist cables.
- Do not install cables in permanently wet areas such as bilges.
- Install cables free of chafing and not around sharp edges, if necessary, attach chafing protection.
- Maintain bending limits.
- Install plug connections free of tension and load.

Observe the minimum bending radius when laying all cables:



Torqueedo data cable	8 x diameter
Torqueedo power cable	8 x diameter
Earth cable	see cable manufacturer's specifications
Other power cables	see cable manufacturer's specifications