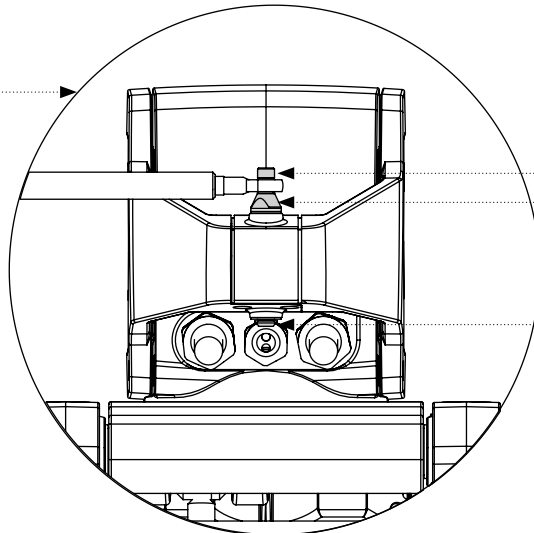
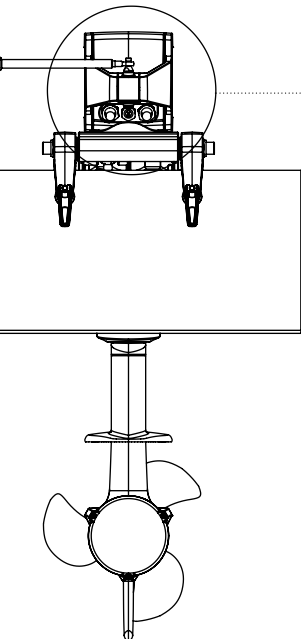
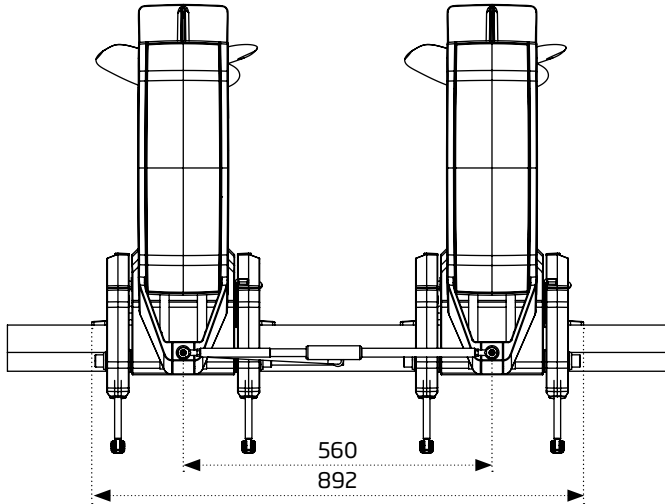


For Usage with Cruise 10.0 R



Zylinderkopfschraube
Socket Head Cap Screw
M6x25

Achsbolzen (Twin)
Steering Pin (Twin)

Linsenschraube
Round Head Screw
M6x16